

.....Dialight



SafeSite[®] LED High Bay - High Efficiency - ATEX / IECEx

for Indoor and Outdoor Industrial Applications





Features & Benefits

- 10 year full performance warranty
- L70 rated for >150,000 hours @ 25°C ambient
- Low power consumption
- Instant on/off
- Maintenance free
- Mercury free
- No UV or IR
- Resistant to shock and vibration
- Superior colour rendition index compared to HPS, LPS, MV
- Optional glass retention film available

Application

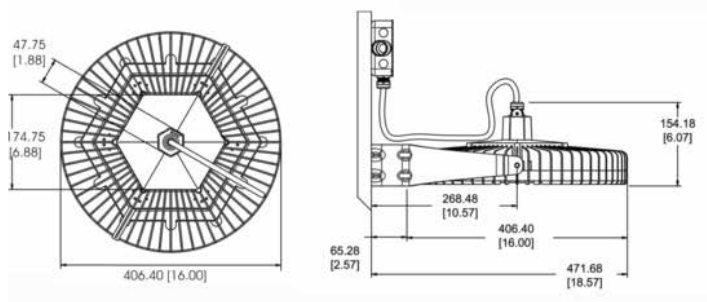
The Dialight SafeSite[®] LED High Bay luminaire was designed specifically to replace conventional lighting in a wide variety of hazardous area applications, both indoor and outdoor. Its low profile light weight design and versatile mounting options make it ideal for High Bay applications for ATEX and IECEx classified hazardous area zones. Dialight's long life LED luminaires are designed to meet the most demanding specification criteria while offering maximum energy savings, reduced maintenance costs, and a superior quality of light.

SafeSite® LED High Bay - High Efficiency - ATEX / IECEx

Standard Models



Patent pending



Dimensions in mm (inches)

Certifications & Ratings (All Models)

- ATEX / IECEx Zones 1, 21
- ATEX / IECEx Zones 2, 22
- CE
- ABS Design Assessed: (pending)
- IP66
- RoHS compliant

Certifications & Ratings (IIB Models)

- Ex II 2 GD Ex d* IIB T5 Gb
Ex tb IIIC 100°C
- Ex II 2 GD Ex d* IIB T4 Gb
Ex tb IIIC 135°C
- Certificate numbers:
Baseefa 10ATEX0148X
IECEx BAS 10.0074X

*Add EX e for factory fitted junction box

Certifications & Ratings (IIB + H2 Models)

- Ex II 2 GD Ex d* IIB+H2 T5 Gb
Ex tb IIIC 100°C
- Ex II 2 GD Ex d* IIB+H2 T4 Gb
Ex tb IIIC 135°C
- Certificate numbers:
Baseefa 12ATEX0070X
IECEx BAS 12.0044X

*Add EX e for factory fitted junction box

Mechanical Information:

- Fixture weight:** 14.6 kg (31 lbs) with fixed cable
16.1 kg (34 lbs) with junction box
- Mounting:** Aluminium stirrup mounting bracket included
- Wiring options:** Factory installed 3 meter SWB cable or factory fitted junction terminal box with 2 off M20 x 1.5mm or 2 off M25 x 1.5mm cable entries

Electrical Specifications:

- Operating voltage:** 110 – 277V AC, 50/60Hz: 23,500lm models
100 – 277V AC, 50/60Hz: 16,000lm and lower models
- Total system power consumption:** See table
- Operating temperature:** -40°C to +60°C
- Harmonics:** IEC 61000-3-2
- Surge protection:** Protection devices capable of handling up to 6kV. Tested for 6kV/2 ohm combination wave, as per IEEE C62.41, line-line and line-ground
- THD:** <20%
- Power factor:** > 0.9

Construction:

- Housing:** Copper free aluminum
- Finish:** Superior dual coat finish
- Sealed polyester topcoat
- Chemical resistant epoxy primer
- Lens¹:** Tempered glass (optional fragment retention film available)

Photometric Information:

- CRI:** 75
- CCT:** 5000K (cool white)
4000K (neutral white)

All values typical unless otherwise stated (tolerance +/- 10%)

¹For information on chemical compatibility, please follow this link to reference Dialight's Chemical Compatibility Guide: www.dialight.com/pubs/MDTFCHEMRFLX001.PDF

SafeSite® LED High Bay - High Efficiency - ATEX / IECEx

Mounting Options and Accessories



HBXW3

- Aluminium swivel bracket (included with fixture)



HBXW3-SSL-304FT

- 304 stainless steel forward throw bracket

HBXW3-SSL-316FT

- 316 stainless steel forward throw bracket



HBXW3-SSL-316M

- 316 Stainless steel bracket

HBXW3-SSL-304M

- 304 Stainless steel bracket



HBXSBDK

- Sand blast kit (dome lens)

HBXSBDL

- Sacrificial dome lens



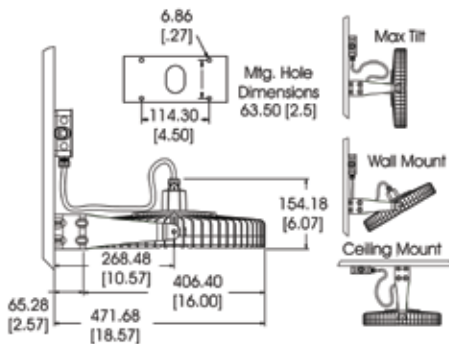
HBXSBK

- Sand blast kit (flat lens)

HBXSBL

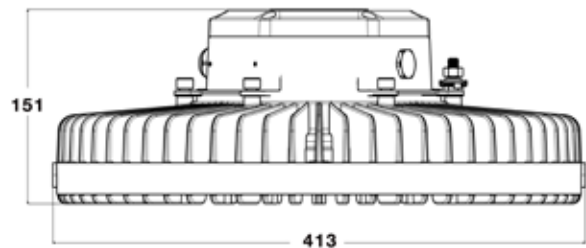
- Sacrificial flat lens

HBXW3 - Swivel Bracket Dimensions



Dimensions in mm

High Bay with Junction Box Dimensions

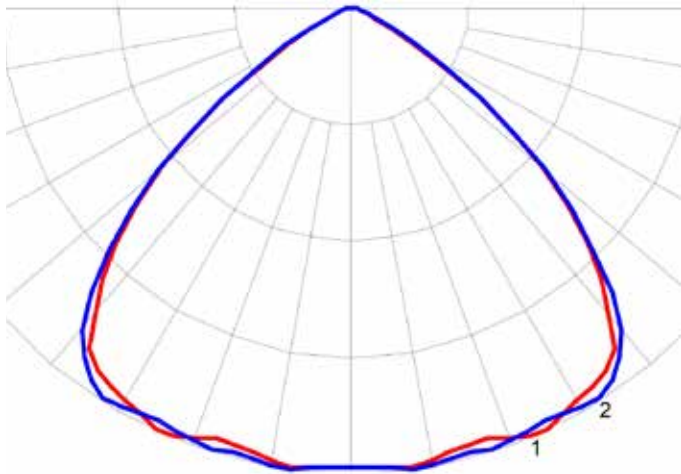


Dimensions in mm

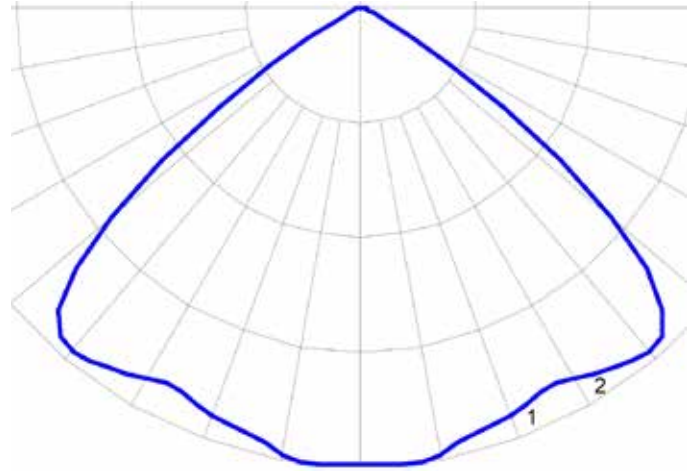
SafeSite[®] LED High Bay - High Efficiency - ATEX / IECEx

Light Distribution Pattern

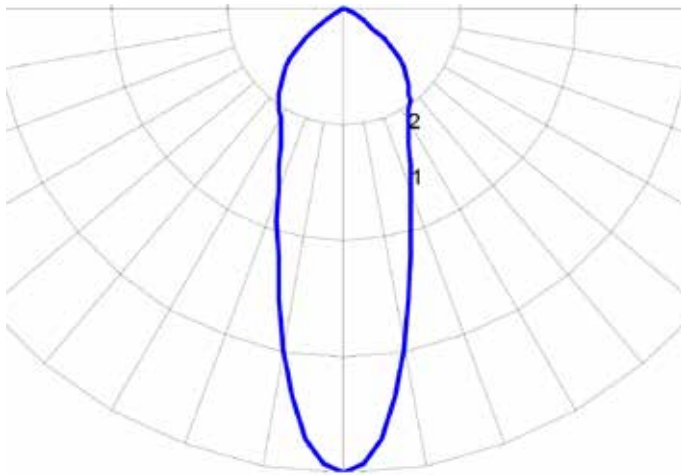
Medium Pattern



Wide Pattern



Narrow Pattern



SafeSite® LED High Bay - High Efficiency - ATEX / IECEx

Ordering Information - Standard models

Part Number	Hydrogen Environments	Initial Fixture Lumens	Typical Wattage	Maximum Wattage	Lm/W	IP Rating	Voltage	Colour Temperature (CCT)	Lens	Light Distribution
Standard Models										
HEA9MC4PN-BCG		23,500	212	235	110	IP66	110 - 277V AC	5000K (cool white)	Glass	Medium
HEA9RC4PN-BCG		23,500	212	235	110	IP66	110 - 277V AC	5000K (cool white)	Glass	Wide
HEA9NC4PN-BCG		23,500	212	235	110	IP66	110 - 277V AC	5000K (cool white)	Glass	Narrow
HEA9MC4KN-BCG		16,000	144	235	110	IP66	100 - 277V AC	5000K (cool white)	Glass	Medium
HEA9RC4KN-BCG		16,000	144	235	110	IP66	100 - 277V AC	5000K (cool white)	Glass	Wide
HEA9NC4KN-BCG		16,000	144	235	110	IP66	100 - 277V AC	5000K (cool white)	Glass	Narrow
HEA9MC4GN-BCG		12,500	112	235	110	IP66	100 - 277V AC	5000K (cool white)	Glass	Medium
HEA9RC4GN-BCG		12,500	112	235	110	IP66	100 - 277V AC	5000K (cool white)	Glass	Wide
HEA9NC4GN-BCG		12,500	112	235	110	IP66	100 - 277V AC	5000K (cool white)	Glass	Narrow
HEA9MC4DN-BCG		9,650	88	235	110	IP66	100 - 277V AC	5000K (cool white)	Glass	Medium
HEA9RC4DN-BCG		9,650	88	235	110	IP66	100 - 277V AC	5000K (cool white)	Glass	Wide
HEA9NC4DN-BCG		9,650	88	235	110	IP66	100 - 277V AC	5000K (cool white)	Glass	Narrow
Junction Box Models										
HEA9MC4PN-JCG		23,500	212	235	110	IP66	110 - 277V AC	5000K (cool white)	Glass	Medium
HEA9RC4PN-JCG		23,500	212	235	110	IP66	110 - 277V AC	5000K (cool white)	Glass	Wide
HEA9NC4PN-JCG		23,500	212	235	110	IP66	110 - 277V AC	5000K (cool white)	Glass	Narrow
HEA9MC4KN-JCG		16,000	144	235	110	IP66	100 - 277V AC	5000K (cool white)	Glass	Medium
HEA9RC4KN-JCG		16,000	144	235	110	IP66	100 - 277V AC	5000K (cool white)	Glass	Wide
HEA9NC4KN-JCG		16,000	144	235	110	IP66	100 - 277V AC	5000K (cool white)	Glass	Narrow
HEA9MC4GN-JCG		12,500	112	235	110	IP66	100 - 277V AC	5000K (cool white)	Glass	Medium
HEA9RC4GN-JCG		12,500	112	235	110	IP66	100 - 277V AC	5000K (cool white)	Glass	Wide
HEA9NC4GN-JCG		12,500	112	235	110	IP66	100 - 277V AC	5000K (cool white)	Glass	Narrow
HEA9MC4DN-JCG		9,650	88	235	110	IP66	100 - 277V AC	5000K (cool white)	Glass	Medium
HEA9RC4DN-JCG		9,650	88	235	110	IP66	100 - 277V AC	5000K (cool white)	Glass	Wide
HEA9NC4DN-JCG		9,650	88	235	110	IP66	100 - 277V AC	5000K (cool white)	Glass	Narrow

All values typical unless otherwise stated, Lumen values are typical (tolerance +/- 10%).

For optional glass fragment retention film, change the 11th character from a **C** to a **E**. Example: HEA9MC4PN-BCG becomes HEA9MC4PN-BEG

SafeSite® LED High Bay - High Efficiency - ATEX / IECEx

Ordering Information - Hydrogen Environments

Part Number	Hydrogen Environments	Initial Fixture Lumens	Typical Wattage	Maximum Wattage	Lm/W	IP Rating	Voltage	Colour Temperature (CCT)	Lens	Light Distribution
Hydrogen Environments - Standard Models										
HEH9MC4PN-BCG	•	23,500	212	235	110	IP66	110 - 277V AC	5000K (cool white)	Glass	Medium
HEH9RC4PN-BCG	•	23,500	212	235	110	IP66	110 - 277V AC	5000K (cool white)	Glass	Wide
HEH9NC4PN-BCG	•	23,500	212	235	110	IP66	110 - 277V AC	5000K (cool white)	Glass	Narrow
HEH9MC4KN-BCG	•	16,000	144	235	110	IP66	100 - 277V AC	5000K (cool white)	Glass	Medium
HEH9RC4KN-BCG	•	16,000	144	235	110	IP66	100 - 277V AC	5000K (cool white)	Glass	Wide
HEH9NC4KN-BCG	•	16,000	144	235	110	IP66	100 - 277V AC	5000K (cool white)	Glass	Narrow
HEH9MC4GN-BCG	•	12,500	112	235	110	IP66	100 - 277V AC	5000K (cool white)	Glass	Medium
HEH9RC4GN-BCG	•	12,500	112	235	110	IP66	100 - 277V AC	5000K (cool white)	Glass	Wide
HEH9NC4GN-BCG	•	12,500	112	235	110	IP66	100 - 277V AC	5000K (cool white)	Glass	Narrow
HEH9MC4DN-BCG	•	9,650	88	235	110	IP66	100 - 277V AC	5000K (cool white)	Glass	Medium
HEH9RC4DN-BCG	•	9,650	88	235	110	IP66	100 - 277V AC	5000K (cool white)	Glass	Wide
HEH9NC4DN-BCG	•	9,650	88	235	110	IP66	100 - 277V AC	5000K (cool white)	Glass	Narrow
Hydrogen Environments - Junction Box Models										
HEH9MC4PN-JCG	•	23,500	212	235	110	IP66	110 - 277V AC	5000K (cool white)	Glass	Medium
HEH9RC4PN-JCG	•	23,500	212	235	110	IP66	110 - 277V AC	5000K (cool white)	Glass	Wide
HEH9NC4PN-JCG	•	23,500	212	235	110	IP66	110 - 277V AC	5000K (cool white)	Glass	Narrow
HEH9MC4KN-JCG	•	16,000	144	235	110	IP66	100 - 277V AC	5000K (cool white)	Glass	Medium
HEH9RC4KN-JCG	•	16,000	144	235	110	IP66	100 - 277V AC	5000K (cool white)	Glass	Wide
HEH9NC4KN-JCG	•	16,000	144	235	110	IP66	100 - 277V AC	5000K (cool white)	Glass	Narrow
HEH9MC4GN-JCG	•	12,500	112	235	110	IP66	100 - 277V AC	5000K (cool white)	Glass	Medium
HEH9RC4GN-JCG	•	12,500	112	235	110	IP66	100 - 277V AC	5000K (cool white)	Glass	Wide
HEH9NC4GN-JCG	•	12,500	112	235	110	IP66	100 - 277V AC	5000K (cool white)	Glass	Narrow
HEH9MC4DN-JCG	•	9,650	88	235	110	IP66	100 - 277V AC	5000K (cool white)	Glass	Medium
HEH9RC4DN-JCG	•	9,650	88	235	110	IP66	100 - 277V AC	5000K (cool white)	Glass	Wide
HEH9NC4DN-JCG	•	9,650	88	235	110	IP66	100 - 277V AC	5000K (cool white)	Glass	Narrow

All values typical unless otherwise stated, Lumen values are typical (tolerance +/- 10%).

For optional glass fragment retention film, change the 11th character from a **C** to a **E**. Example: HEA9MC4PN-BCG becomes HEA9MC4PN-BEG

